

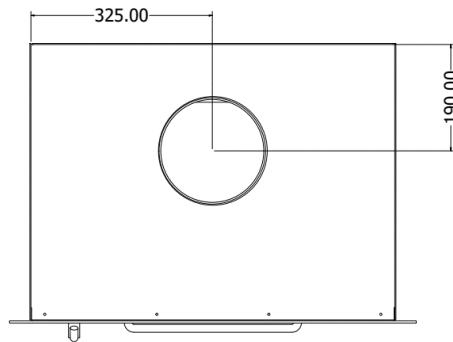
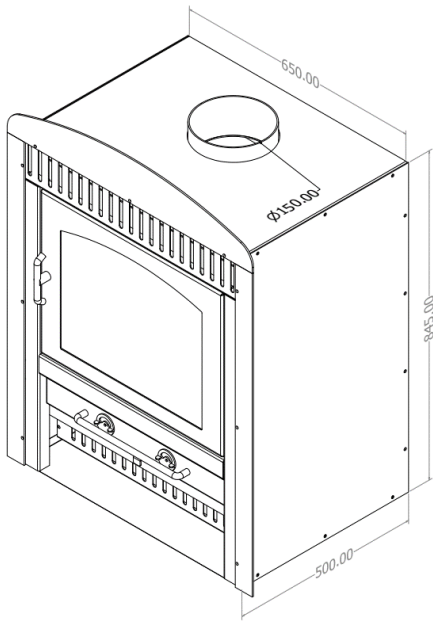
Rembrandt



Brilliant & Bold

This brilliant fireplace with its simple yet revolutionary design will enhance any style of living. The large glass panel ensures the optimum enjoyment of the fire while the fan ensures maximum heat into the room of up to 14kW. The unit features a silent 220V cross-flow fan with an output of 150cfm (cubic feet per minute). This fan is situated below the ash pan, rotating air around the firebox. When the firebox reaches 60°C the fan is thermo-activated to start the convection process. The simplified installation method allows building in an outer casing and fitting the unit at a later stage, making it ideal when developing or doing alterations. Fitted with precision controls for combustion, this unit will be your hearth's delight. The unit does not require electricity to be used trim.





Rembrandt

	10 - 14 kW
	90 - 180 m ²
	150 kg
	945 mm
	725 mm
	500 mm
	Ø 150 mm

