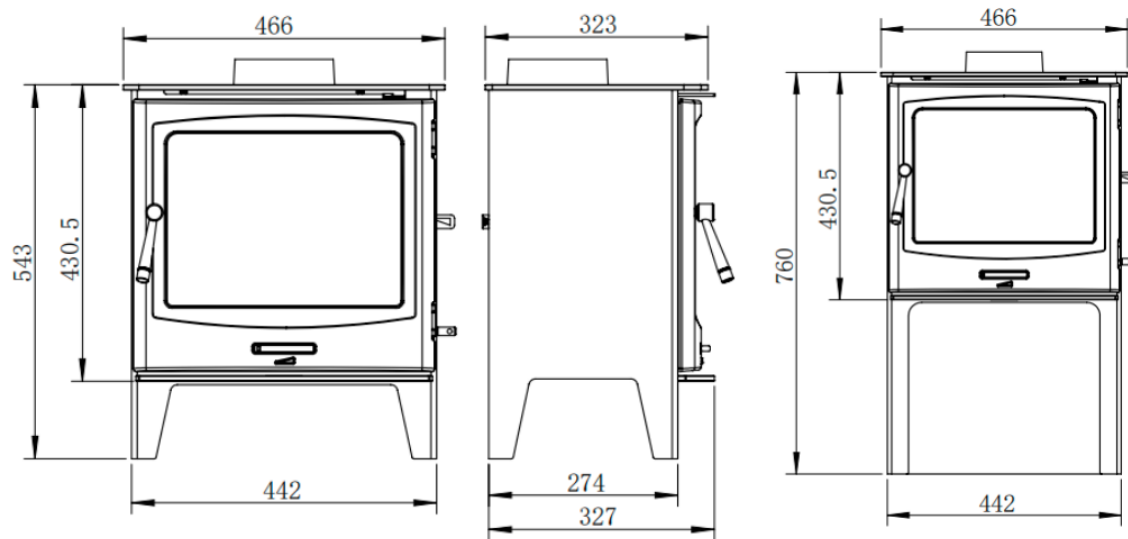


# LS07

The LS07 presents an ideal solution for efficiently heating small spaces, providing a slightly larger option than the LS05. Crafted from premium cast iron, it ensures durability and exceptional heat retention, promising lasting warmth. Powered by advanced combustion technology, it burns fuel cleanly, minimizing emissions and promoting environmental friendliness. Its stylish design in classic black effortlessly blends with any decor, adding a touch of sophistication to the space. User-friendly controls facilitate easy operation, while built-in safety features offer peace of mind to users. With its combination of efficiency, style, and practicality, the LS07 is a reliable heating choice for small spaces.



- Rear Outlet Available
- Logholder Option



	6-8KW
	60-120m <sup>3</sup>
	67kg
	466mm
	543mm
	327mm
	125mm
	Logholder - 80kg
	logholder - 760mm

The LS07 stands out as a compact yet efficient heating solution. Its advanced design incorporates a preheated air intake and multiple intakes through the ashpan and back of the unit, ensuring thorough combustion and effective heat distribution. The secondary air, heated at the top of the unit, flows over the viewing glass, maintaining a clear view of the flames.

With an impressive efficiency rating of 75.8% and low CO2 emissions of 0.06%, the LS07 is both environmentally friendly and cost-effective to operate. Additionally, its rear outlet and shaker grate simplify maintenance tasks. Overall, the LS07 offers a perfect balance of efficiency, eco-friendliness, and convenience, making it an excellent choice for heating small spaces. The LS07 Logholder option provides storage for wood and other types of fuel.