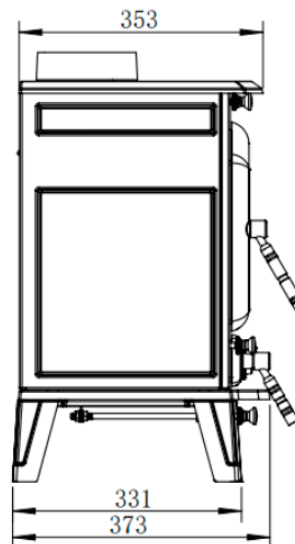
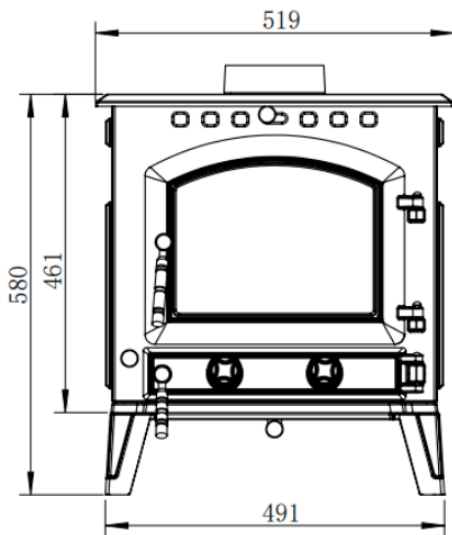


SM03

The SM3 is a fantastic choice for smaller to medium-sized rooms, blending modern elegance with functionality. Its impressive heat output of up to 10kw ensures cozy warmth, while the stainless steel handles add a touch of timeless quality. Its compatibility with modern interiors makes it a versatile and stylish addition to any home.



	8-10KW
	90-120m ³
	93kg
	519mm
	580mm
	373mm
	125mm

The SM03 is ideal for those seeking both efficiency and design excellence in a stove. Its advanced air intake system, including a third intake through the ashpan, ensures optimal combustion for maximum heat output. The preheated primary air and secondary air functions contribute to its impressive efficiency rating of 78% and minimal CO₂ emissions of 0.12%. Plus, the air-wash system maintains a clear glass pane for an uninterrupted view of the fire. The addition of a rear outlet and shaker grate adds practicality and ease of use to this already impressive unit.